

AFG900X

90cm freestanding gas/electric cooker



SIZE mm	900Wx600Dx860-910H (+60mm splashback)
FINISH	stainless steel
CAPACITY	121 litres

OVEN

FEATURES	<ul style="list-style-type: none"> • 8 functions — light, defrost, convection, fan assisted, fan forced, bakers function, fan grill, static grill • triple-glazed glass door • easy-to-clean flat glass inner door • fan forced • electric grill • removable oven cavity floor • 5 cooking levels • baking tray
-----------------	---

HOB – 5 burners

	natural gas kW/hr	ULPG kW/hr
2 x semi-rapid	2.6	2.6
1 x auxiliary	1.1	1.05
1 x rapid	2.7	2.7
1 x triple-crown wok	4.2	4.05

cast-iron trivets and burner caps
 flame failure device fitted to each burner
 automatic electronic ignition

POWER	total gas consumption: 10.6/10.4 kW/hr
	total electrical consumption: 3.6 kW/h
	electrical connection: hard wired

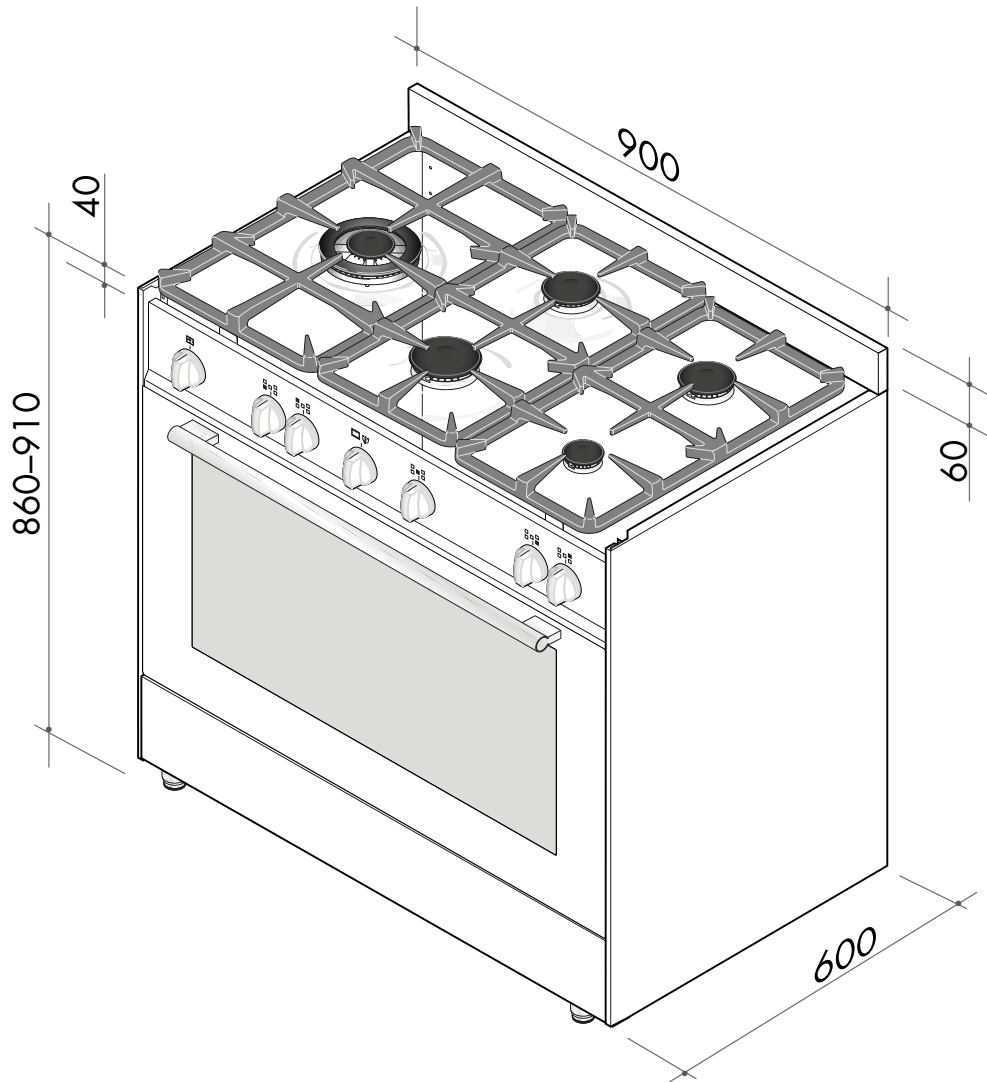

EAN 9347777000552

DISCLAIMER

Eurolinx PTY LTD is continually seeking ways to improve the design specifications, aesthetics and production techniques of its products. As a result alterations to our products and designs take place continually. Whilst every effort is made to produce information and literature that is up to date, this brochure should not be regarded as an infallible guide to the current specifications, nor does it constitute an offer for the sale of any particular product. Product dimensions indicated in our literature is indicative only. Actual product only should be used to define dimension cutouts. Distributors, and retailers are not agents of Eurolinx and are not authorized to bind Eurolinx by any express or implied undertaking or representation.

AFG900X

90cm freestanding gas/electric cooker



NB: drawings are not to scale — they are to be used . For detailed installation instructions, please refer to user guide.

Australia National Telephone Number 1300 694 583 New Zealand Telephone Number 0508 458 369
ARTUSI showrooms are open daily from 9am-5pm and Saturdays 10am-4pm

artusi.com.au

**NSW & ACT
(head office)**

48 Moore Street
Leichhardt
02 8569 4699

VIC | SA

1211 Toorak Road
CAMBERWELL
03 9809 2155

TASMANIA

3 Pear Avenue
DERWENT PARK 7009
03 6272 7386

QLD

1/42 Cavendish Road
COORPAROO
07 3397 0850

WA | NT

10/55 Howe Street
OSBORNE PARK
08 9201 9188

New Zealand

PO Box 11.160
Sockburn Christchurch
03 344 5913